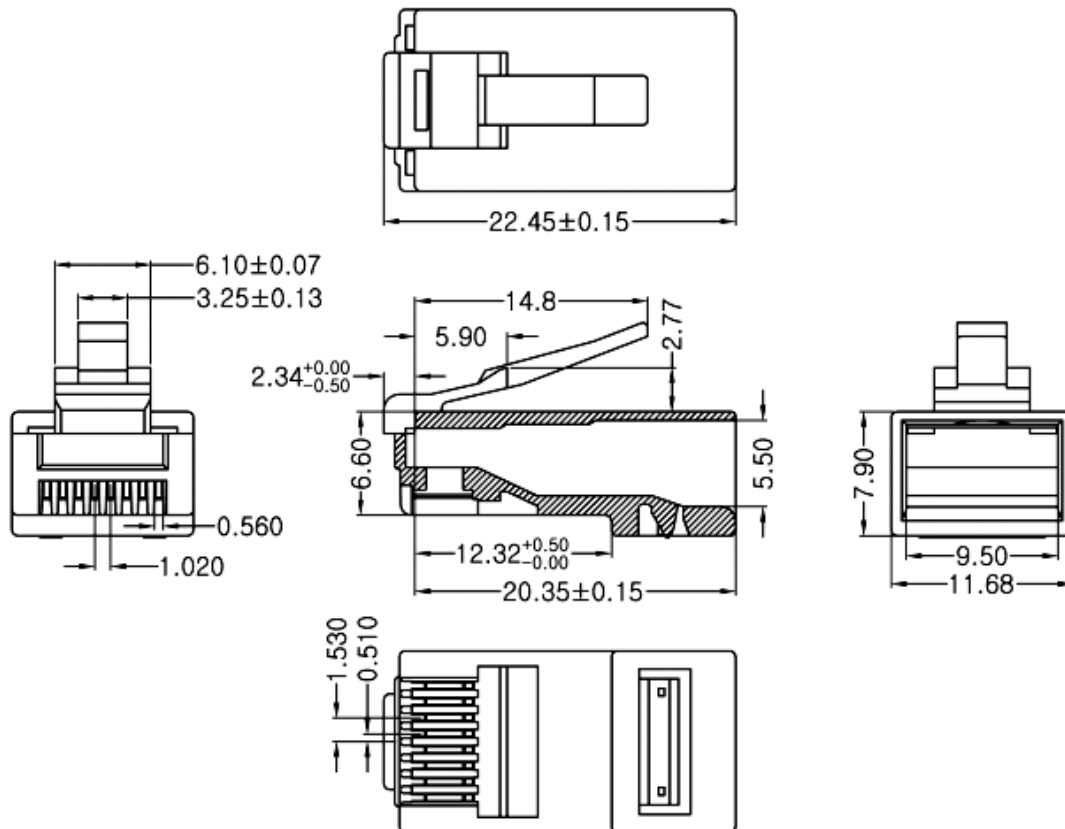


#### *Newlink RJ45 8-Wire Cat 6 plug 50u Solid (1,000 pack)*



#### Features:

- Plug Type: RJ45 50u
- Cat-6 Plug
- Terminates round solid cable in voice applications
- Compliant with RoHS and REACH

#### Electrical Test:

- 250 AC max, at 2A
- Dielectric withstanding 1000V DC/min, <0.5A
- Insulation Resistance: >500 M $\Omega$ , 1000V DC/min
- Contact Resistance: <20 M $\Omega$

# NEWLINK

## Cabling Systems

**NEW-3584660**

**Mechanical:**

Cable-to-plug tensile strength 20 LBS (89N) min  
Durability: 2000 mating cycles

Operating Temperature: -40°C ~ +125°C

**Ordering Information:**

Part Number	Description
NEW-3584660	Newlink RJ45 8-Wire Cat 6 plug 50u Solid (1,000 pack)